



Towbar Fitting Instructions
To Suit Land Rover Discovery 3 / Range Rover Sports
Part Number 101250
Rating 3500/350 kg

PLACE THESE INSTRUCTIONS IN THE VEHICLE'S GLOVEBOX AFTER INSTALLATION IS COMPLETED

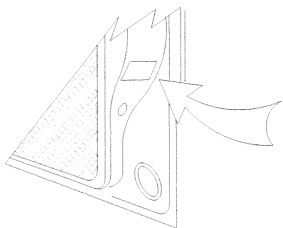
WARNING:

1. Do not, drill, cut, weld or otherwise modify the tow bar.
2. If you are using electric welding on a motor vehicle, **always** check that the vehicle is not equipped with electronic engine or instrument management equipment. Failure to do so could **destroy** any onboard computers. If in doubt, check with the vehicle's manufacturer.
3. The high tensile fasteners supplied with this product were used to achieve the specified rating. If replacement is required ensure that fasteners of the same rating & quality are used. Contact an authorised **Recovery** dealer if further information is required.
4. If TBM is used in inverted position tow ball may make contact with rear tailgate when lowered, which could cause damage.

General:

1. Ensure all hardware items have been included refer to assembly diagram.
2. It is recommended that the instructions are read through and completely understood before making any attempt to fit this product.
3. Be wary of any changes to vehicle designs or other accessories that may conflict with the installation of this product.
4. Before drilling ensure that the area is clear of fuel, electrical & other components.
5. All holes drilled into the body panels shall have all burrs & swarf removed then coated with a suitable rust preventative paint.
6. For vehicles that require the bumper to be cut. Ensure cut out area is in correct position on the vehicle prior to cutting the bumper.
7. The high tensile fasteners supplied with this product were used to achieve the specified rating. If replacement is required ensure that fasteners of the same rating & quality are used. Contact an authorized **Recovery** dealer if further information is required.
8. Ensure that all hardware is fastened to torque list below check fasteners on regular basis.
9. Tow bar load rating sticker provided with this product shall be conspicuously located on inside rear end of the driver's door. **(See diagram below).**
10. Recovery recommends that you check your tow ball to ensure that it complies with the Australian standards **AS 4177.2.**
11. **PLEASE NOTE:** It is advised to remove your LUG or TBM when not actually towing so as to produce a clear view of the vehicles registration plate if obscured, and to also provide maximum available departure angle
12. Pull Pin must be fit in down position.

FOR TRAILER TOWING PURPOSES ONLY
For towing capacity details please refer to vehicle owner's manual or to the manufacturer. Overloading can void your warranties.



Place load rating sticker inside driver's door here

RECOMMENDED ASSEMBLY TORQUE LISTING

Diameter	Grade 8.8 Bolt
M6	9.5 Nm
M8	21.7 Nm
M10	43.4 Nm
M12	77.3Nm
M14	146 Nm
M16	340 Nm

Tow bar Maintenance and Care.

Recovery recommends that bolt torque's, as listed below, are routinely and regularly inspected and checked for correct tension. Replace any worn or defective parts.

We recommended to remove Tow Ball Mounts (TBM's, tongues or lugs) when not being used for any considerable length of time.

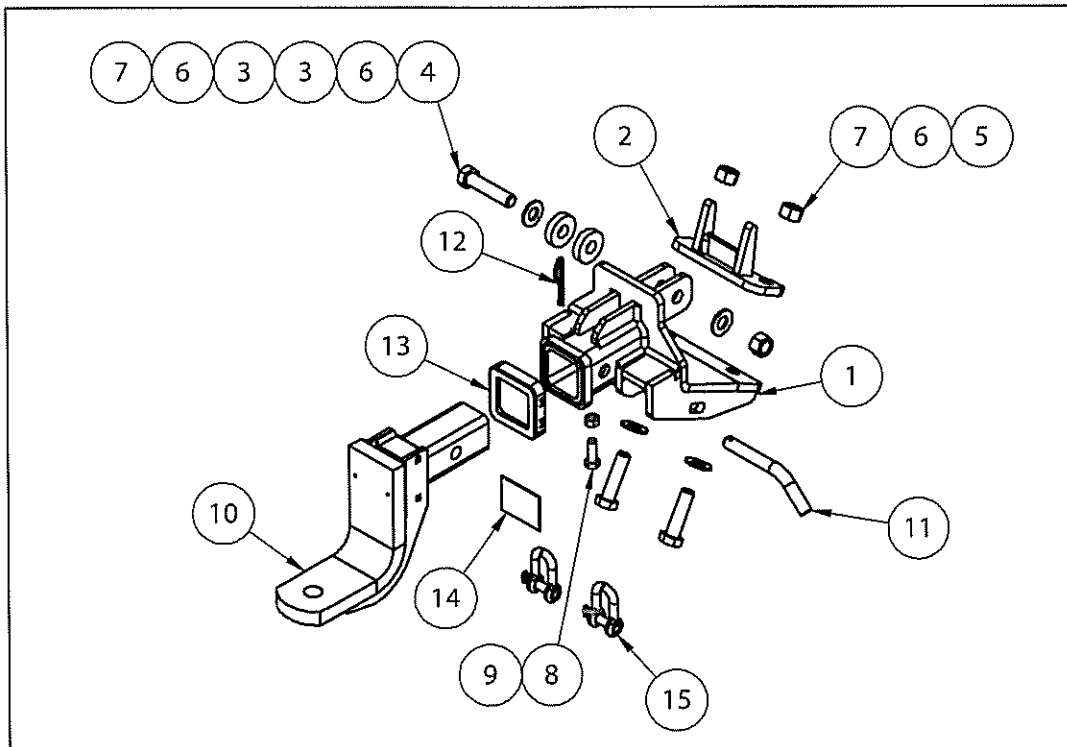
So as to avoid injury, when not towing it is suggested that the tongue, Pull Pin and R-clip are removed then stored in a safe, clean and dry place, away from excessive moisture.

Hitch Pull Pins and spring "R" clips are regularly checked for proper installation. Replace any worn or defective parts.



Towbar Fitting Instructions
To Suit Land Rover Discovery 3 / Range Rover Sports
Part Number 101250
Rating 3500/350 kg

PLACE THESE INSTRUCTIONS IN THE VEHICLE'S GLOVEBOX AFTER INSTALLATION IS COMPLETED



QTY	DESCRIPTION	ITEM NO
1	TOW HITCH WELDED ASSY	1
1	SPACER BRACKET WELDED ASSEMBLY	2
2	SPACER	3
1	BOLT HEX HD M16-2x70mm	4
2	BOLT HEX HD M16-2x55mm	5
4	FLAT WASHER M16 x 33.5 x 2.5 Z/P	6
3	NUT HEX HD M16-2	7
1	SET SCREW HEX HD M10x30x1.5P	8
1	HEX NUT M10x1.5	9
1	TBM (ON ROAD)	10
1	PULL PIN	11
1	R CLIP	12
1	HITCHBOX COLLAR COVER R BLANK	13
2	ACRYLIC ADR STICKER	14
2	'D' SHACKLE	15



Towbar Fitting Instructions
To Suit Land Rover Discovery 3 / Range Rover Sports
Part Number 101250
Rating 3500/350 kg

PLACE THESE INSTRUCTIONS IN THE VEHICLE'S GLOVEBOX AFTER INSTALLATION IS COMPLETED

INSTRUCTION:

1. Remove cover from rear face of bumper bar.
2. Remove wiring plug on left hand side of tow hook.
3. Slide 2 off round spacers into tow hook hole.
4. Insert spacer bracket into cavity underneath tow hook.
5. Offer tow hitch assembly to tow hook; loosely secure tow hitch and spacer bracket with 2 off M16 x 60 bolts, complete with 1 off flat washer and 1 off nut per bolt, and 1 off M16 x 70 bolt inserted through tow hook spacers, complete with 2 off flat washers and 1 off nut.
6. Tighten the 3 bolts to torque specified on Page 1 of this document.
7. Reinstate wiring plug removed in step 2.