

Our products are designed to be used correctly and with care for the purpose for which they are intended. No liability is accepted by the Tool Connection for incorrect use of any of our products, and the Tool Connection cannot be held responsible for any damage to personnel, property or equipment when using the tools. Incorrect use will also invalidate the warranty.

If applicable, the applications database and any instructional information provided has been designed to offer general guidance for a particular tool's use and while all attention is given to the accuracy of the data no project should be attempted without referring first to the manufacturer's technical documentation (workshop or instruction manual) or the use of a recognised authority such as Autodata.

It is our policy to continually improve our products and thus we reserve the right to alter specifications and components without prior notice. It is the responsibility of the user to ensure the suitability of the tools and information prior to their use.



Safety First. Be Protected.

Guarantee

If this product fails through faulty materials or workmanship, contact our service department direct on: **+44 (0) 1926 818186**. Normal wear and tear are excluded as are consumable items and abuse.



Distributed by The Tool Connection Ltd

Kineton Road, Southam, Warwickshire CV47 0DR
T +44 (0) 1926 815000 F +44 (0) 1926 815889
info@toolconnection.co.uk www.toolconnection.co.uk



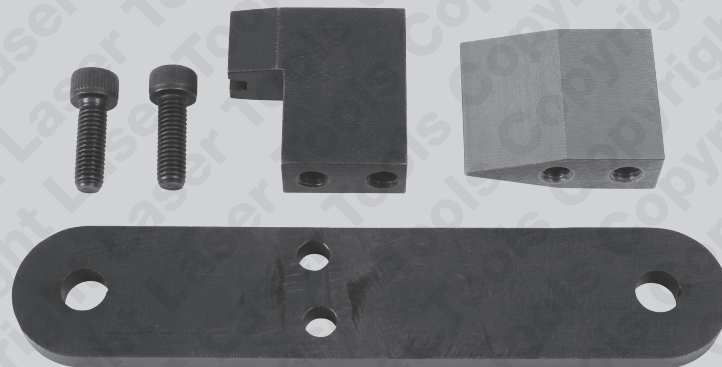
5 018341 070595 >

LASER[®]

7059

Flywheel Locking Tool Set JLR

Instructions



- Locks the Flywheel of the engines listed when removing or replacing the front pulley bolt.
- Applications include: Jaguar F-Type, XF, XFR/S, XJ, XJR, XK8, XKR and Land Rover Discovery 4, Discovery, Range Rover and Range Rover Sport.
- Engine Codes: 5.0L AJ-133, 508PS/508PN,
- The tool covers both 303-1304 and 303-1448 OEM tools.
- For engine timing tool kit - Laser 7051.

www.lasertools.co.uk

www.lasertools.co.uk

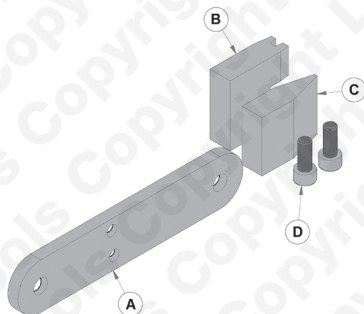
Flywheel Locking Kit - Jaguar, Land Rover 5.0L Petrol V8

This kit has the required tools to lock and hold the crankshaft to allow the crankshaft front pulley bolt to be loosened or tightened.

Designed to combine the 2 possible tools used to lock these engines in one tool using a shared backing plate.

NB: For the full engine timing kit see Laser 7051.

Components



Ref.	Component Code	OEM Ref.	Description
A			Back plate
B	C828	303-1304	Tooth block
C	C829	303-1448	Tooth block
D			Fixings for back plate

Applications

Manufacturer	Make	Years	Models
Jaguar	F-Type Convertible/Coupe	2013-2017	(X152)
	XF	2009-2015	(X250)
	XFR/-S	2009-2015	(X351)
	XJ	2010-2017	(X150)
	XJR	2013-2017	Supercharged
	XK8	2009-2015	V8/Supercharged
Land Rover	XKR	2009-2015	SVR/SVAutobiography R/S
	Discovery 4/Discovery	2009-2016	Supersport
	Range Rover	2009-2017	R
	Range Rover Sport	2009-2017	V8/S

Engine Codes

5.0L	AJ-133/508PS, AJ-133/508PN, 508PS, 508PN, 508PS
-------------	---

The following instructions are for guidance only. Please refer to OEM derived data such as the vehicles manufactures own data.

The use of these Flywheel locking Tools is purely down to the user's discretion and The Tool Connection Ltd. cannot be held responsible for any damage caused what so ever.



Instructions

Preparation:

- Remove Starter motor

N.B. Always turn the engine in normal direction of rotation.

Component Descriptions

Select the appropriate locking tooth in accordance with the OEM PAT number requirement and assemble the locking tool using the bolts supplied.

Fit the assembled tool in the starter motor aperture ensuring the tooth engages with the flywheel. Hold in place using the starter motor fixing bolts.

Components A + B + D = 303-1304

Components A + C + D = 303-1448